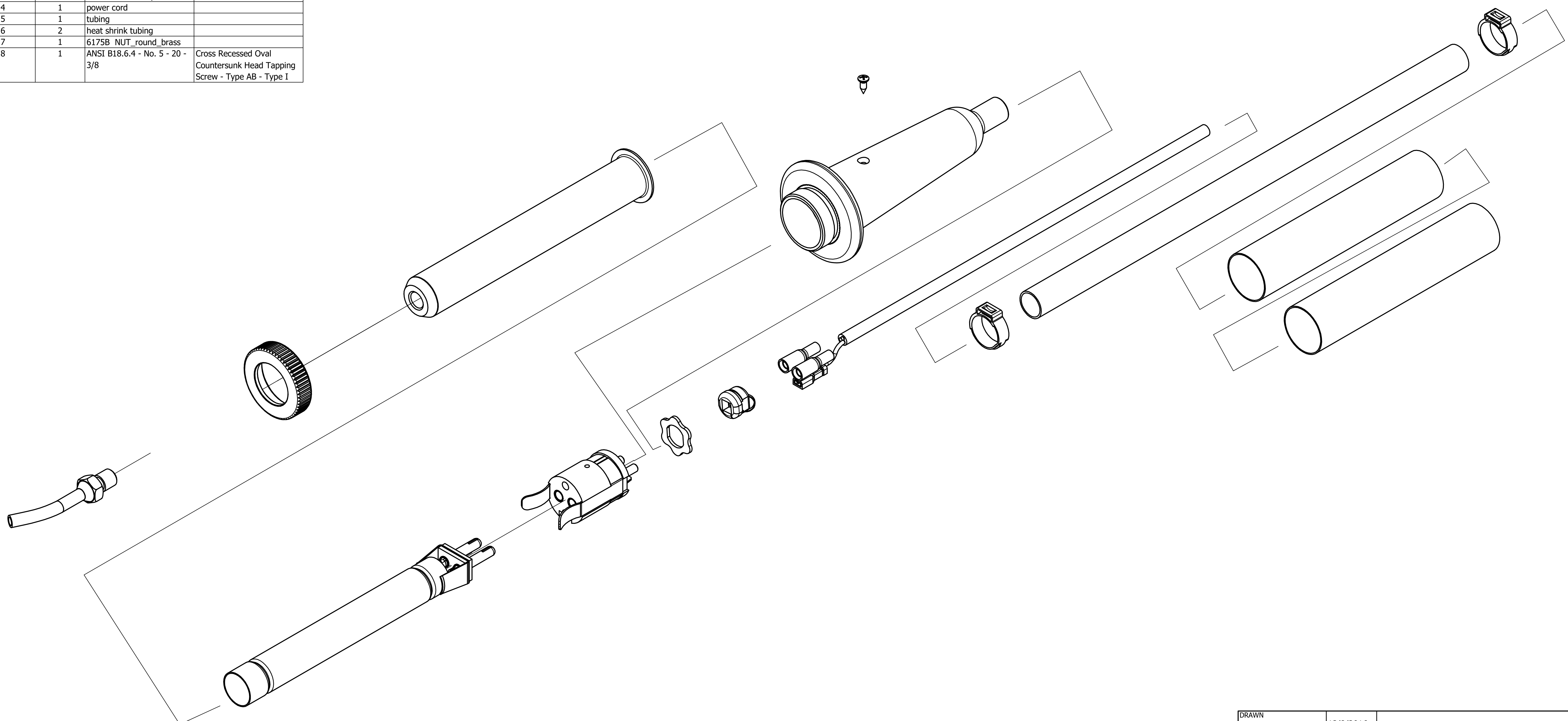


PARTS LIST			
ITEM	QTY	PART NUMBER	DESCRIPTION
1	1	6150H socket for spring clip	
2	2	6150 Contact pin	
3	1	6150H Ground Clip	
4	1	6062ME	
5	1	6175B Barrel	
6	1	6050-NR1	
7	1	6150H handle insert	
8	1	6150H Handle	
9	1	6051-05 strain relief 88	
10	1	Strain Relief	
11	2	6150-06 Bullet connector	
12	1	connector_125	
13	2	6150H Hose clamp	
14	1	power cord	
15	1	tubing	
16	2	heat shrink tubing	
17	1	6175B NUT_round_brass	
18	1	ANSI B18.6.4 - No. 5 - 20 - 3/8	Cross Recessed Oval Countersunk Head Tapping Screw - Type AB - Type I



DRAWN	scott	12/8/2016		
CHECKED			TITLE	
QA				
MFG				
APPROVED				
			SIZE	DWG NO
			D	6150 Handle assembly for instruction
			SCALE	1 : 1
				SHEET 1 OF 1