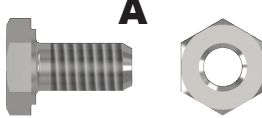
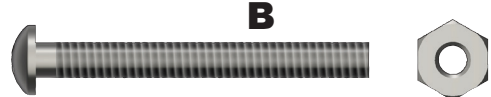
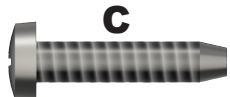


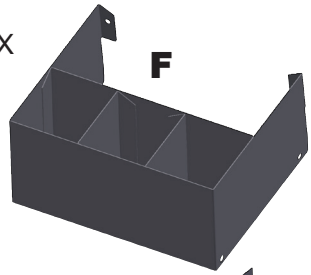


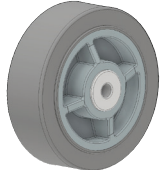
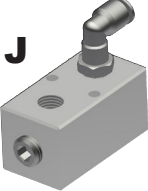
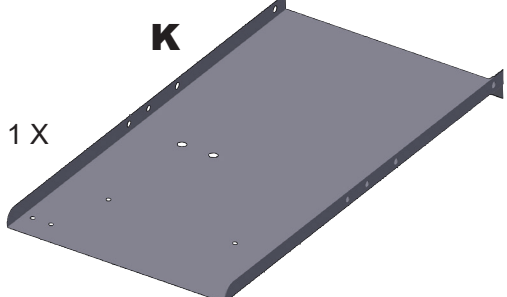
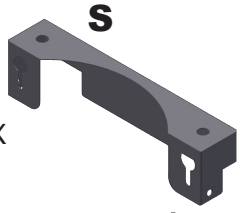



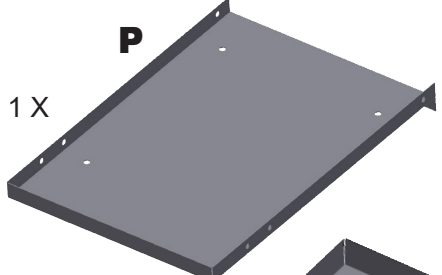
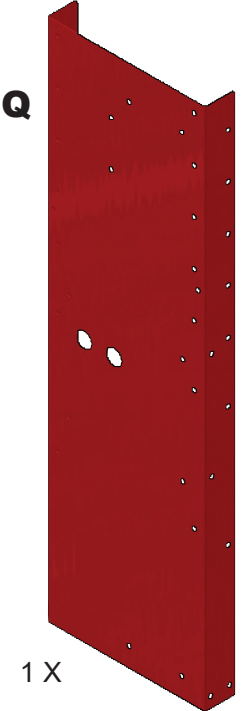


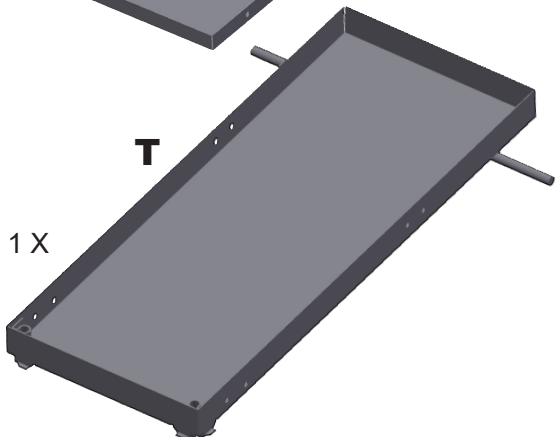
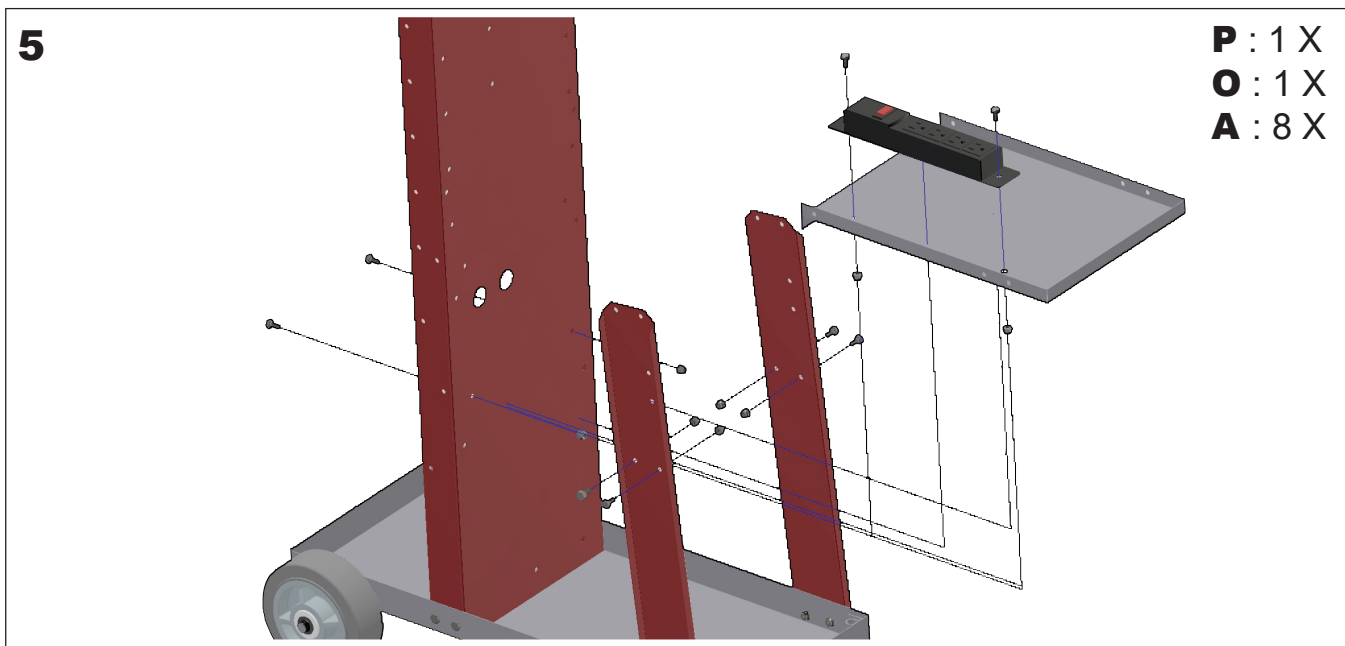
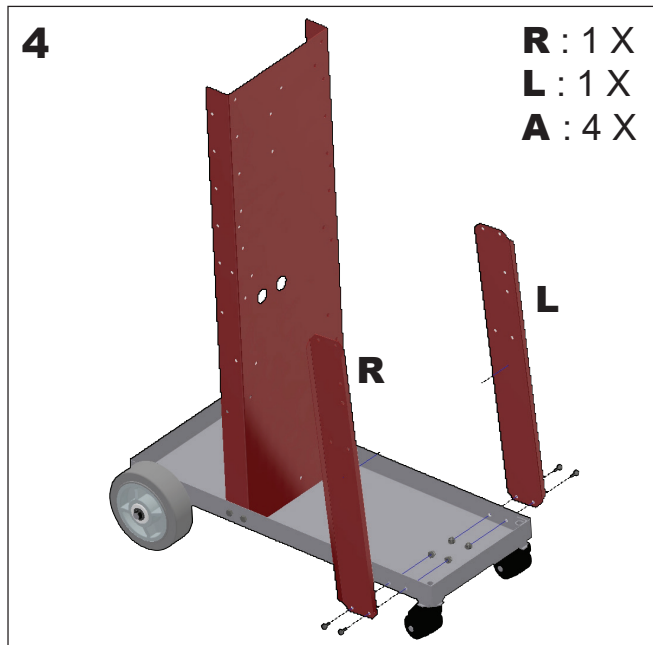
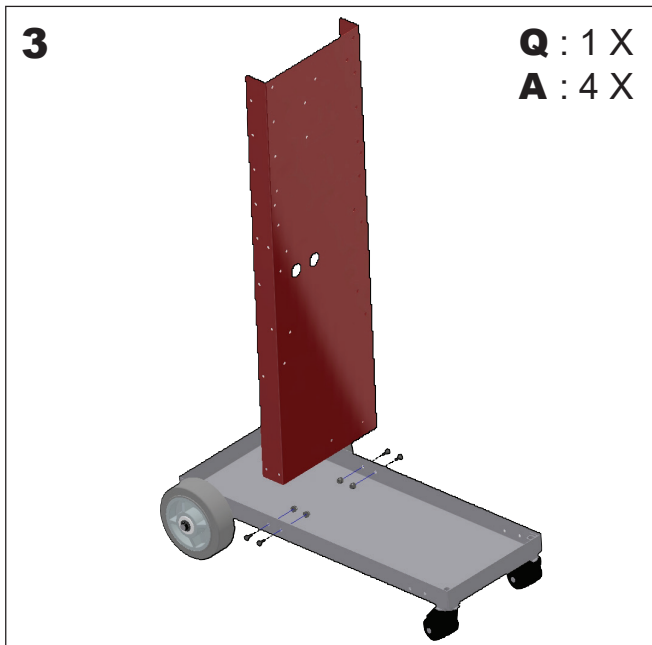
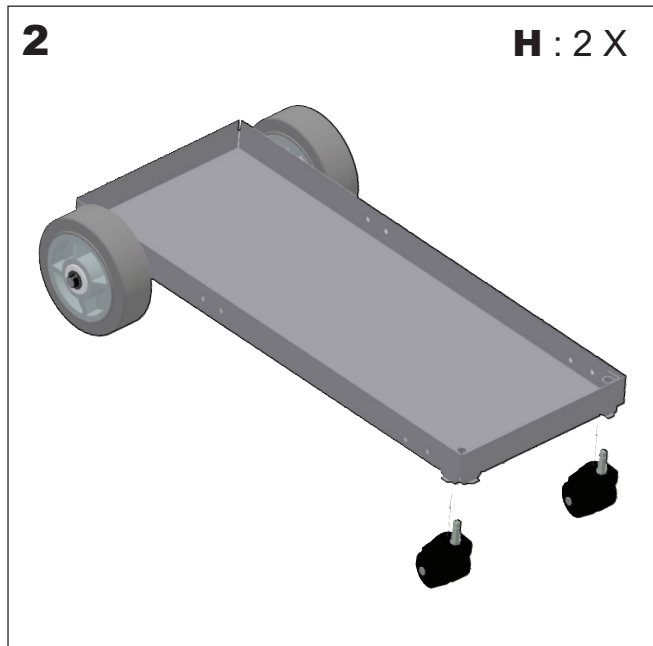
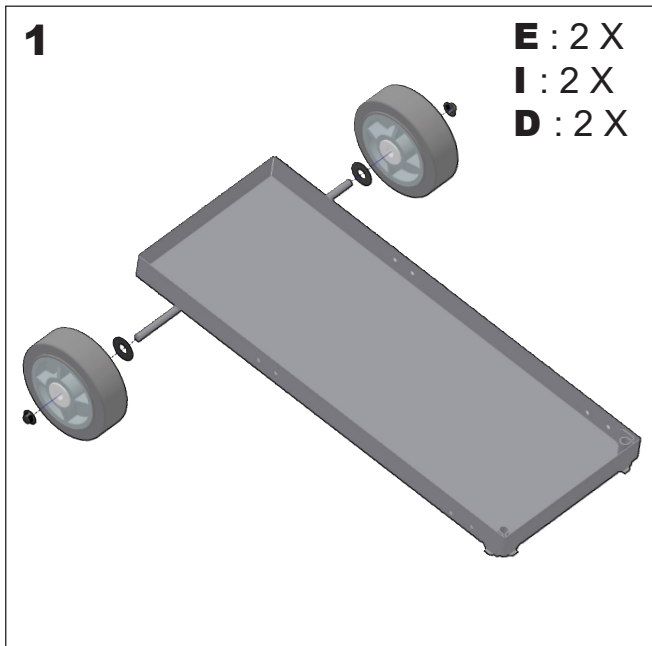


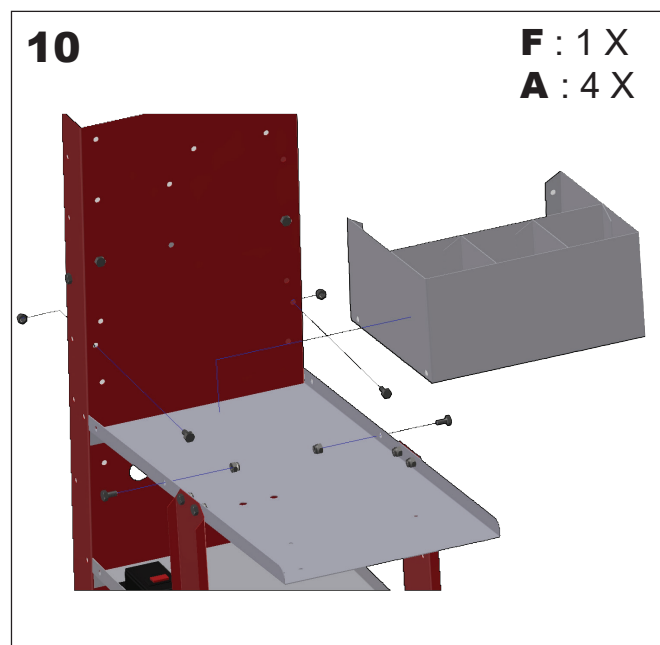
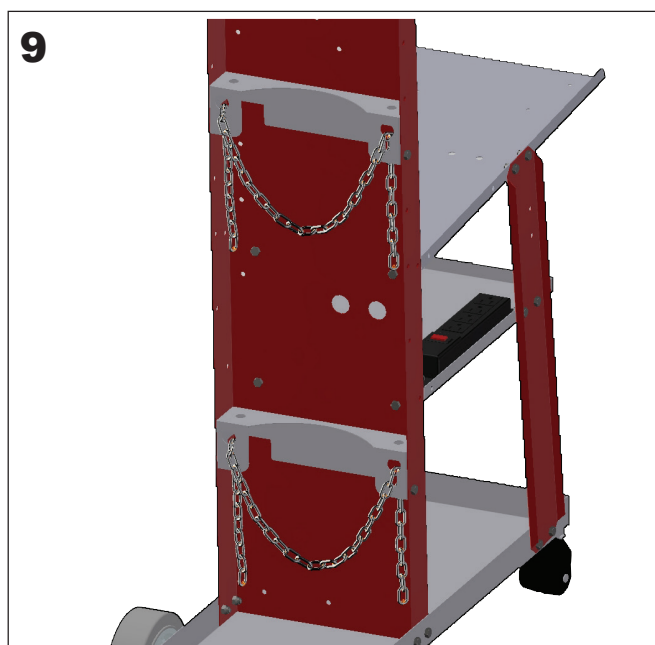
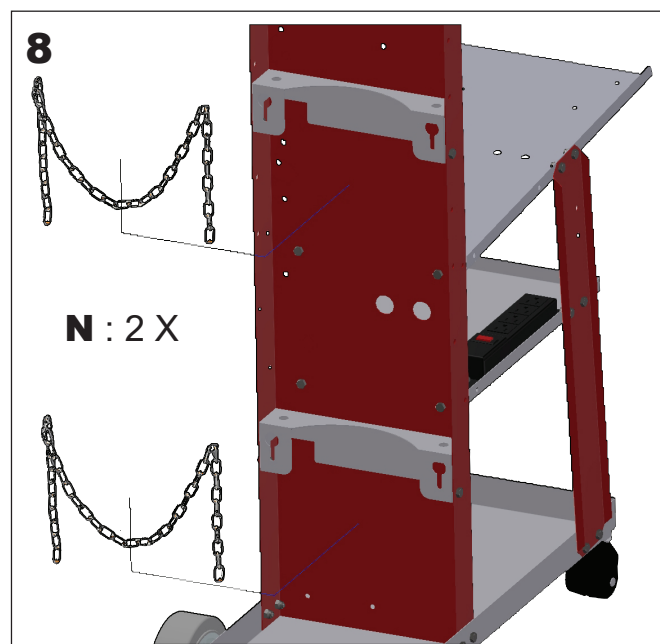
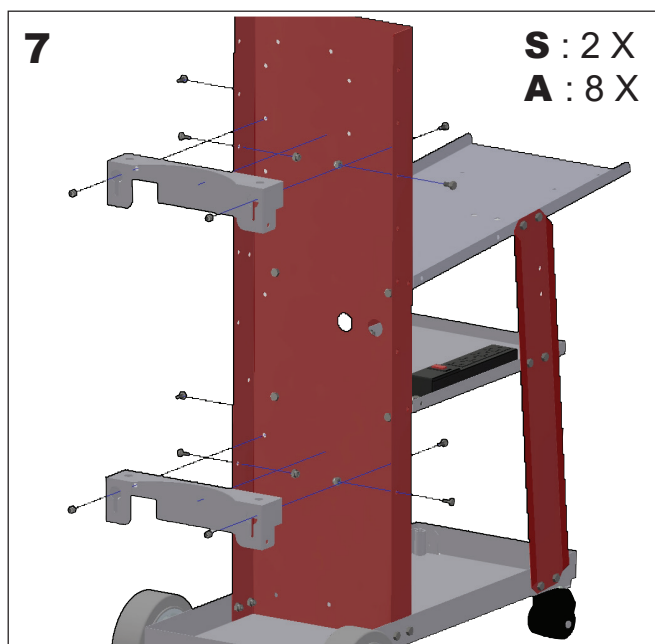
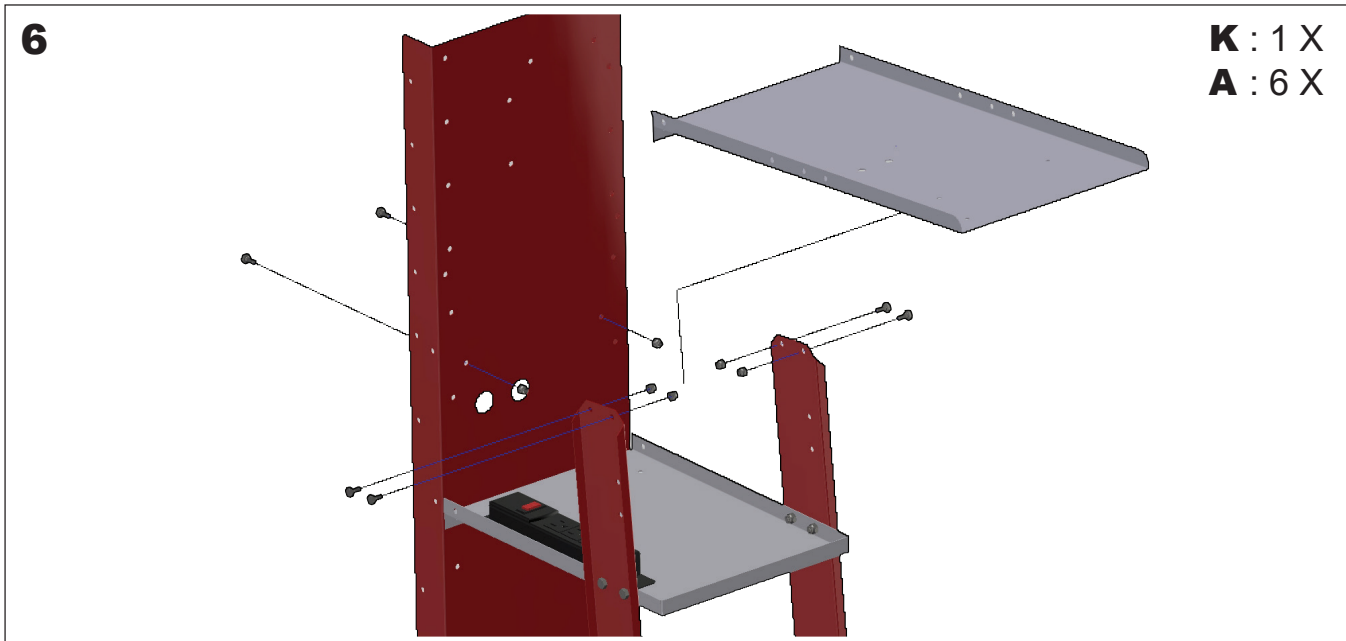
6049-C Assembly Instructions - Welding Cart

- 44 X**  **A**
1/4"-20 x .5" Bolt and Lock-nut
- 2 X**  **B**
10-24 x 1.75" Machine Screw and Lock-nut
- 2 X**  **C**
#10 x 1.25" Hex Head Sheet Metal Screw
- 2 X**  **D**
1-1/2" x .5" Fender Washer
- 2 X**  **E**
1" x .5" Cap Nut

NOTE: Hardware shown actual size

- 1 X**  **F**
- 1 X**  **G**
- 2 X**  **H**
- 2 X**  **I**
- 1 X**  **J**
- 1 X**  **K**
- 2 X**  **S**
- 2 X**  **M**
- 2 X**  **N**
- 1 X**  **O**
- 1 X**  **P**
- 1 X**  **Q**
- 1 X**  **L**
- 1 X**  **R**
- 1 X**  **T**

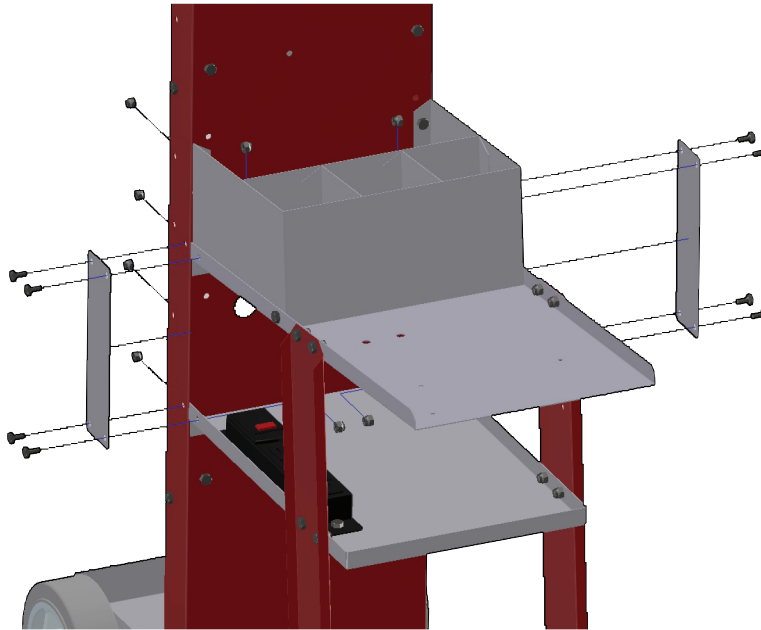




11

M : 2 X

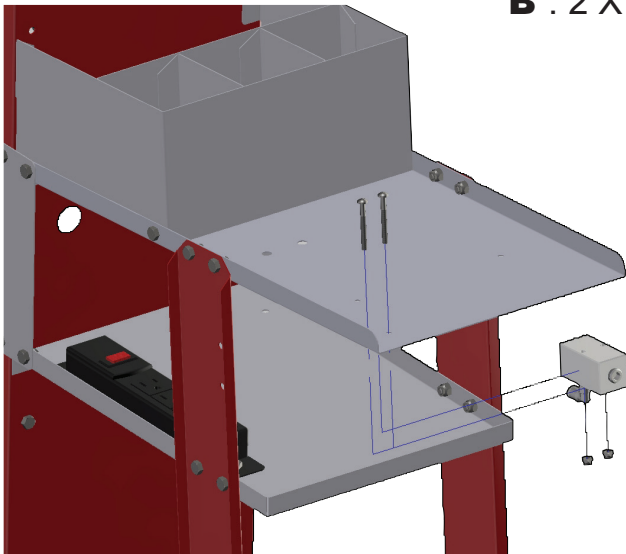
A : 8 X



12

J : 1 X

B : 2 X

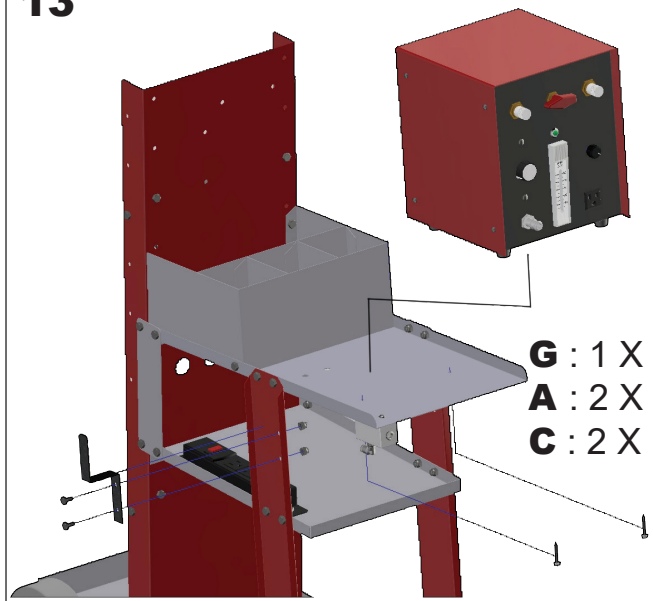


13

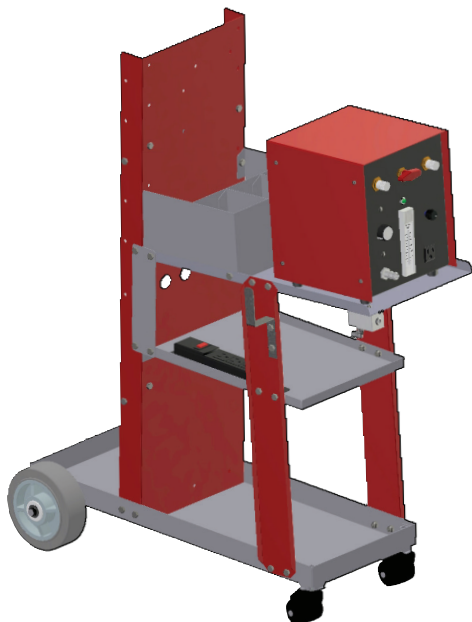
G : 1 X

A : 2 X

C : 2 X



14



Note: Welder shown without hose and wiring assemblies or welding rod for clarity.

For set-up and use instructions see "6049 Quick Start Guide."

Polyvance
 ADVANCING POLYMER REPAIR

Customer Support:
 Toll Free: 800-633-3047
 Phone: 256-638-4103
www.polyvance.com